

Pebble pull handle

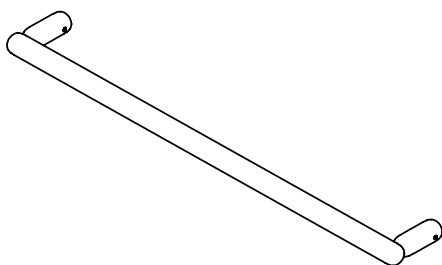
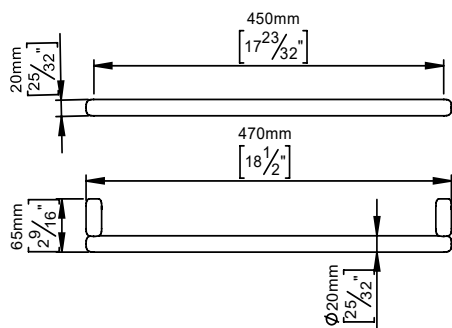
Bjarke Ingels Group collection

Product 450x65x20mm, bush , satin stainless steel AISI 304.

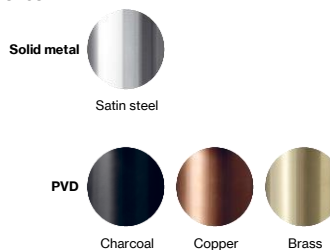
Tender text Bjarke Ingels Group collection, pebble, pull handle, 450mm, bush in satin finished AISI 304 stainless steel. 20-year warranty.



Product specification Dimensions: 470x65x20mm
 Diameter: Ø20mm
 Material: stainless steel AISI 304
 Surface finish: satin grain 320
[20-year warranty \(5 years for coated items\)](#)



Available finishes



Spare parts/ accessories

Mounting <https://dline.com/mounting-instructions/>

Product care

d line products are produced in the highest quality AISI 304 stainless steel. To sustain the unique d line finish please follow the below instructions:

- Wash down the surfaces using soapy water or mild detergent
 - Always thoroughly rinse off with clean water
 - To complete the cleaning procedure dry/polish the surface with a soft dry cloth
- Please do not use scouring powder, steel wool, chloride based detergents or other aggressive cleaning products as these may damage the surface.
- If spots or corrosion appear on the surface it is not due to the stainless steel quality, but to impurities in the environment, aggressive conditions or improper or insufficient cleaning.