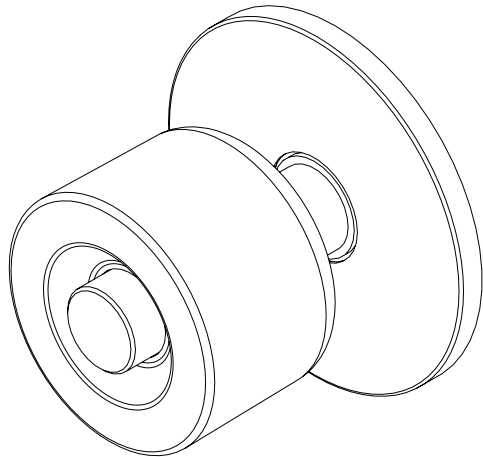


**BUSTER + PUNCH**  
LONDON

**DOOR KNOB SET / CAST  
UNSPRUNG  
INSTRUCTION MANUAL**



**EN: FOR RESIDENTIAL USE. INTERIOR DOORS ONLY.**

**DISCLAIMER: THIS PRODUCT IS NOT SUITABLE FOR COMMERCIAL USE. ALWAYS CONSULT A TRADE PROFESSIONAL WHEN INSTALLING THESE PRODUCTS. BUSTER + PUNCH IS NOT RESPONSIBLE FOR THE USAGE OR FEASIBILITY OF INSTALLATION REQUIREMENTS. THIS PRODUCT IS NOT SUITABLE FOR DAMP OR WET ENVIRONMENTS.**

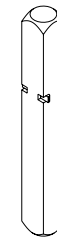
**BUSTERANDPUNCH.COM**  
L0183

**DOOR KNOBS, FOR INSTALLATION ONTO A MINIMUM 35mm THICKNESS DOOR.**

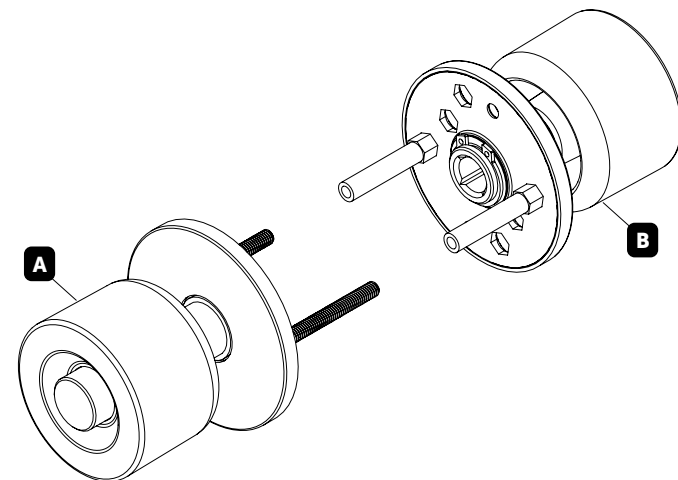
**PRODUCT VARIATIONS COVERED BY THIS INSTRUCTION MANUAL ARE LISTED BELOW:**

*DOOR KNOB SET / CAST KNURL*

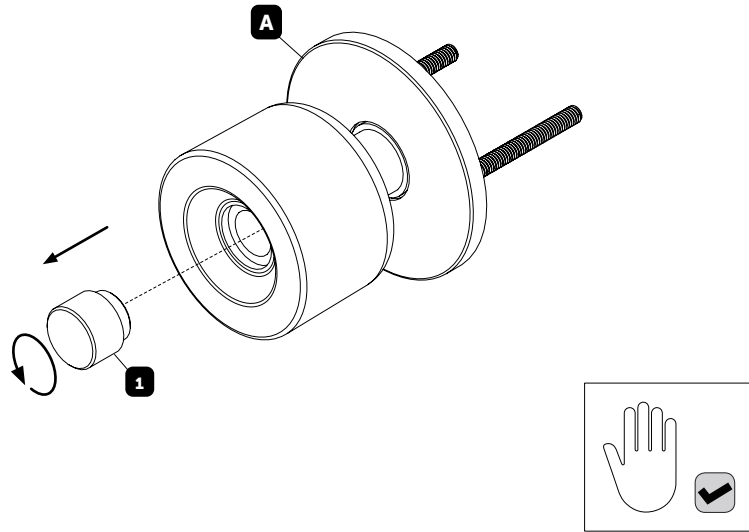
**CONTENTS**



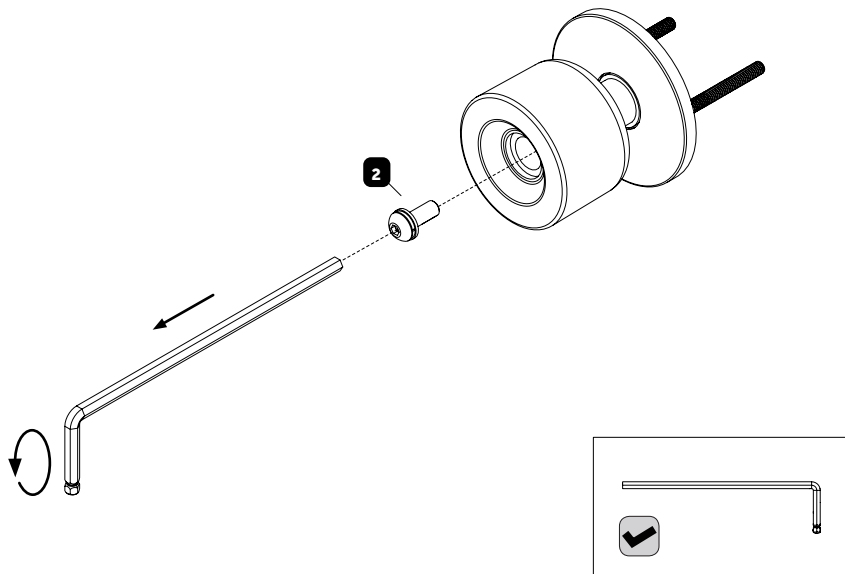
**x 1**



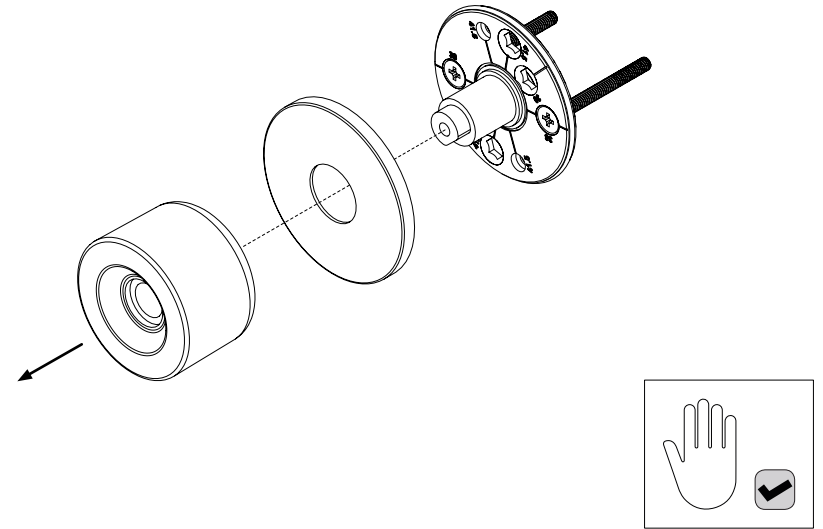
**1**



**2**

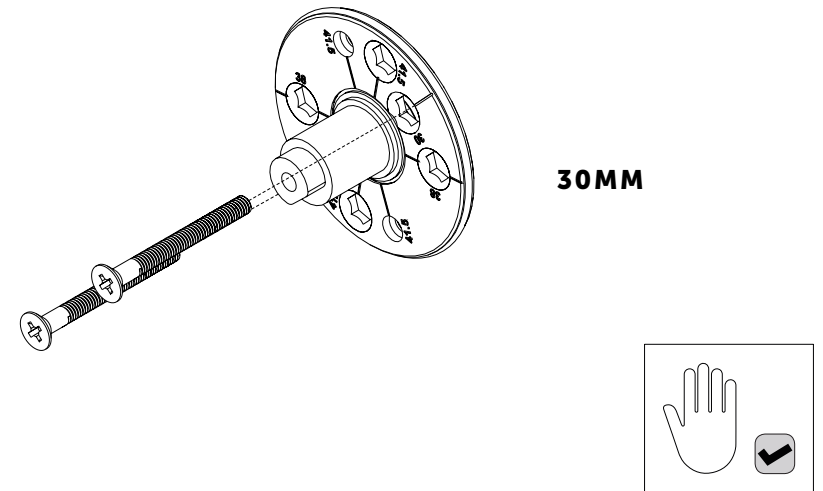


**3**

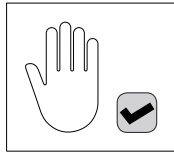
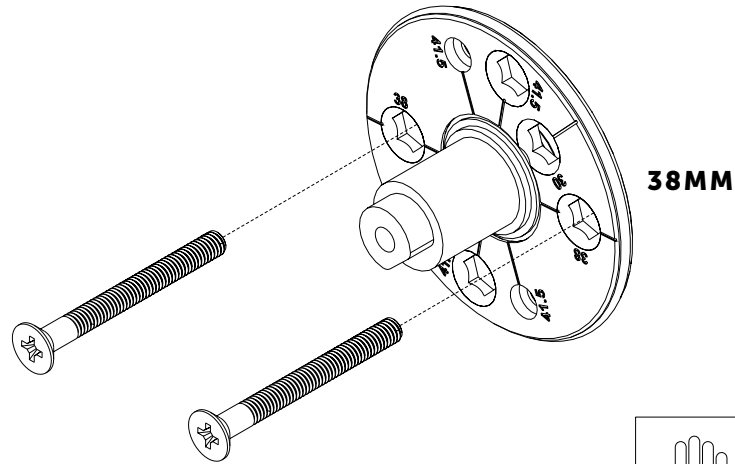


**4 A**

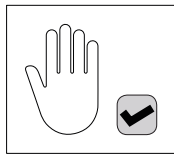
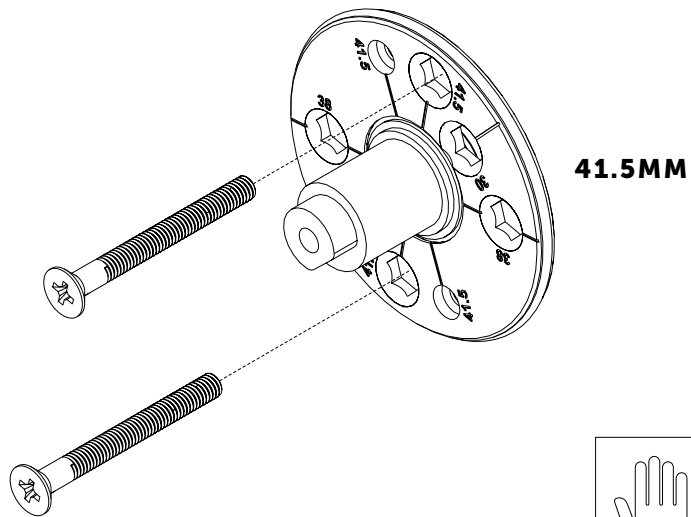
STEPS 4A + 4B + 4C ARE FOR INSTALLATION USING DIFFERENT CENTRE-DISTANCE THOUGH BOLT HOLES. THE CENTRE-DISTANCE HOLES REQUIRED ARE DICTATED BY YOUR LATCH.



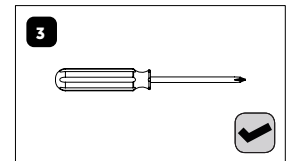
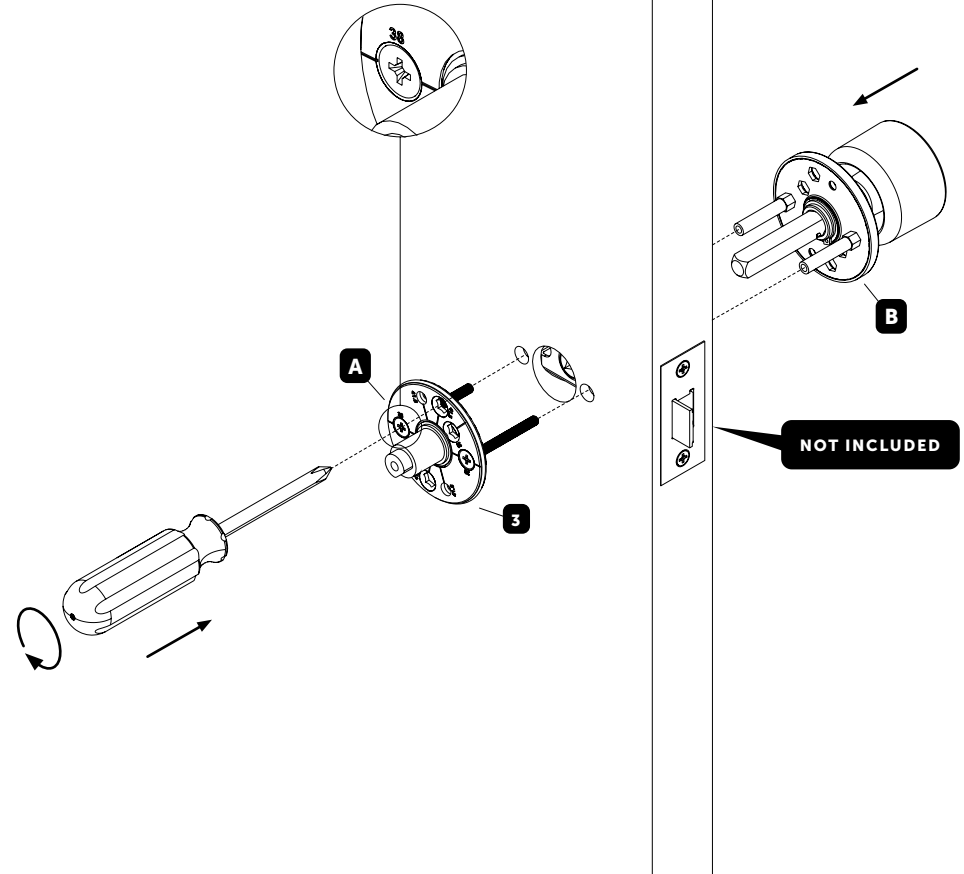
# 4 B



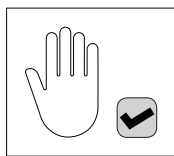
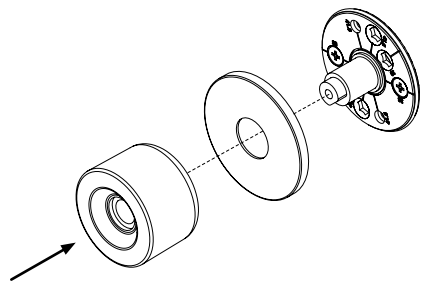
# 4 C



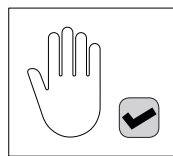
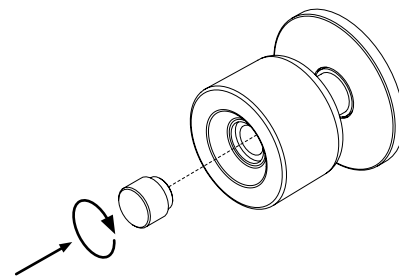
# 5



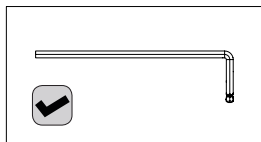
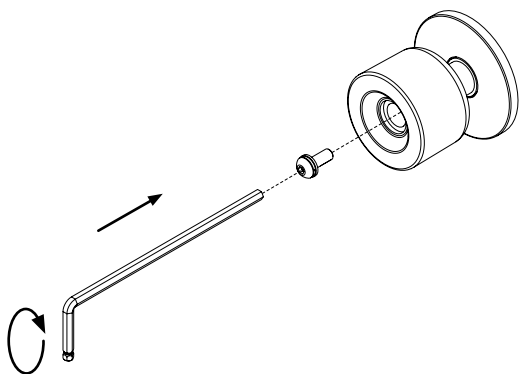
6



8



7



[end. ORDINARY ]