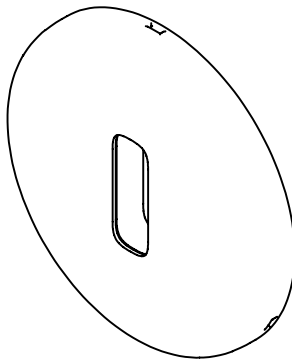
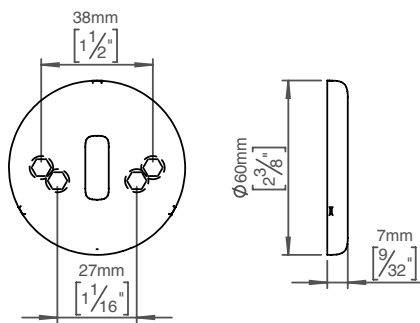


# Pebble key escutcheon



## Bjarke Ingels Group collection

**Product** 60mm, snap-on cover, cc 27/38mm.

**Tender text** Bjarke Ingels Group collection, pebble key escutcheon, snap-on-cover, Ø60x7mm in satin finished AISI 304 stainless steel. 20-year warranty.

**Product specification** Dimensions: 60x60x34mm  
Material: stainless steel AISI 304  
Surface finish: satin grain 320  
[20-year warranty \(5 years for coated items\)](#)

### Available finishes



### Spare parts/ accessories

**Mounting** <https://dline.com/mounting-instructions/>

### Product care

d line products are produced in the highest quality AISI 304 stainless steel. To sustain the unique d line finish please follow the below instructions:

- Wash down the surfaces using soapy water or mild detergent
- Always thoroughly rinse off with clean water
- To complete the cleaning procedure dry/polish the surface with a soft dry cloth

Please do not use scouring powder, steel wool, chloride based detergents or other aggressive cleaning products as these may damage the surface.

If spots or corrosion appear on the surface it is not due to the stainless steel quality, but to impurities in the environment, aggressive conditions or improper or insufficient cleaning.