

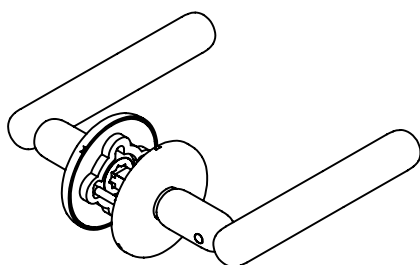
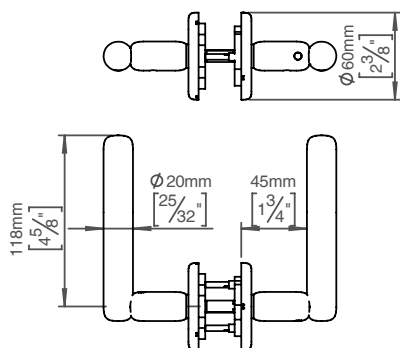
# Pebble lever handle

## Bjarke Ingels Group collection

**Product** Snap-on cover, cc 30/38mm, 45-62mm.

**Tender text** Bjarke Ingels Group collection, lever handle Pebble pair, 8x8mm, snap-on cover, cc 30/38mm, 45-62mm in satin finished AISI 304 stainless steel. 20-year warranty.

**Product specification** Dimensions: 148x60x65mm  
Material: stainless steel AISI 304  
Surface finish: satin finished  
[20-year warranty \(5 years for coated items\)](#)



### Available finishes



### Spare parts/ accessories

14970102016 - Grub screw M5x6,8mm  
14296174107 - Sectioned bolt set M4x110mm with bush  
14285092092 - Spindle for door 33-59mm  
14976700105 - TX10 tool kit  
14293002002 - Snap-on cover tool

### Mounting

<https://dline.com/mounting-instructions/>

### Product care

d line products are produced in the highest quality AISI 304 stainless steel. To sustain the unique d line finish please follow the below instructions:

- Wash down the surfaces using soapy water or mild detergent
- Always thoroughly rinse off with clean water
- To complete the cleaning procedure dry/polish the surface with a soft dry cloth

Please do not use scouring powder, steel wool, chloride based detergents or other aggressive cleaning products as these may damage the surface.

If spots or corrosion appear on the surface it is not due to the stainless steel quality, but to impurities in the environment, aggressive conditions or improper or insufficient cleaning.