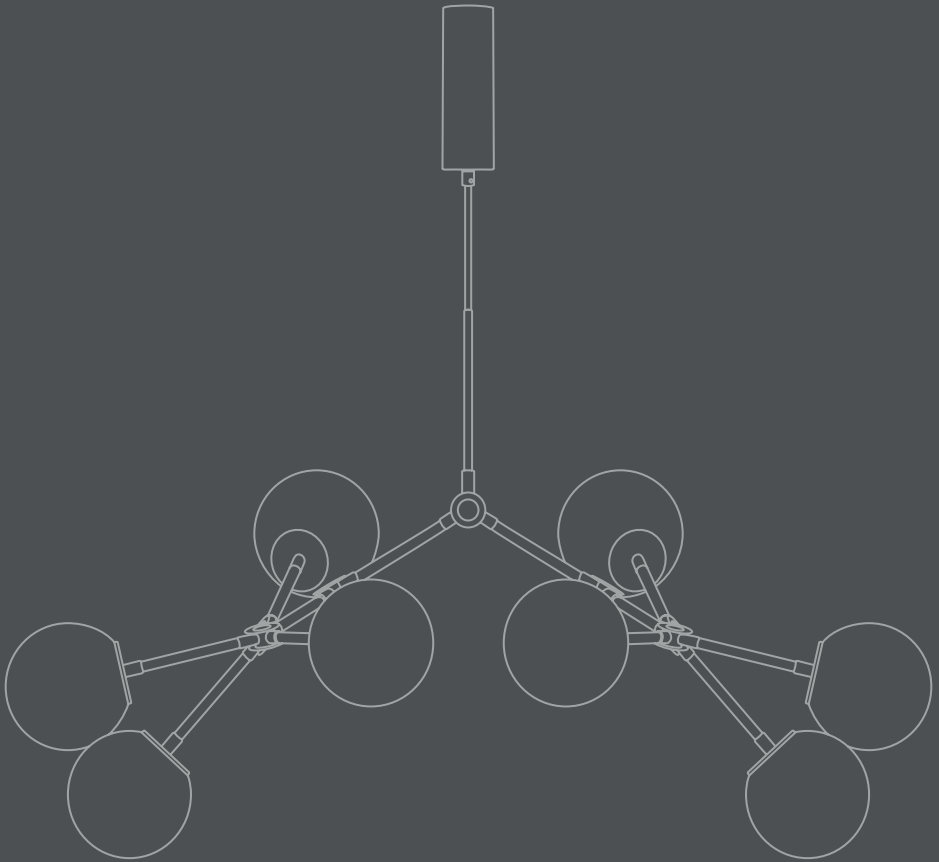


# 101

## C O P E N H A G E N

DROP CHANDELIER BULB // ASSEMBLY INSTRUCTIONS





## ABOUT 101 COPENHAGEN

101 Copenhagen is a Danish design brand founded in 2017 with a strong vision to create a world of beautiful lighting and accessories of exquisite craftsmanship, quality and timeless design for Scandinavian living.

With a passion for materials and refined textures combined with our design aesthetic and an organic, calm color scheme, we are proud to present a collection filled with must-have novelties and timeless classics.

## OUR CREATIVE DRIVE

The 101 Copenhagen Design House carefully curates and design objects for Scandinavian living. The creative drive is centered in a fusion of the Scandinavian design tradition influenced by the timeless Japanese approach to material and techniques.

The objects designed reflects the symbioses of design traditions whilst also featuring unique embedded stories, symbols and associations expressed in a minimalist idiom.

The design approach is notably holistic, the work process is dynamic and characterized by freedom of expression, which creates unique and timeless pieces.



## Kristian Sofus Hansen

---

Kristian is a Danish designer graduated from the Royal Danish Academy of Fine Art whilst also spending time in Japan studying at the Kyoto Institute of Technology.

From Kristian's background living and studying in Japan, he aims to combine Japanese aesthetics with Danish Design, to achieve a characteristic twist to simplicity itself. Most of all searching for the small, new, and original detail, which lifts the design, by adding a specific signature. By working with arts and sculptures, the process expands in new and exciting ways, with the goal of creating

characteristic, functional and timeless design.



## Nicolaj Nøddesbo

---

Nicolaj is a Danish designer from the Aarhus School of Architecture. Nicolaj joined the design team in 2017 and has since developed truly iconic pieces including innovative light solutions and timeless novelties in the accessories department.

Nicolaj strives to create functional design with personality and character, focusing on materiality and tactility creating minimalist and sculptural designs.



## Tommy Hyldahl

---

Tommy is the founder and partner in 101 Copenhagen and has been involved in the creative direction of the company since its start. Tommy launched 101 Copenhagen in 2017 a company that focuses on designing and curating home accessories and lighting solutions for Scandinavian living.

From Tommy's background in fashion, spending years analyzing and picking future trends, amongst working with color shades and structures of materials, he aims to combine details and references from different historical design periods, and put them together in new ways to create fresh and original design concepts. All designs are based on the same approach of creating design in different layers, starting from scratch to a full storytelling of each design collection.

**CONGRATULATIONS  
ON YOUR NEW PRODUCT FROM  
101 COPENHAGEN**

## Drop Chandelier Bulp

The Drop chandelier bulb collection is inspired by Danish Modernism and the 1950s iconic and experimental approach to lightning design. With circular opal glass lampshades and 14 adjustable arms, the chandelier embraces flexible and functional lighting. The lamps detailed suspension is inspired by industrial and maritime references, and beautifully crafted in plated metal subsequent hand brushed. The chandelier elegantly brightens the room with a warm light and becomes a sculptural object in the ceiling. The adjustable arms create countless variations, which can be customized to any interior scheme. Designed by Kristian Sofus Hansen & Tommy Hyldahl.

Product no: 111093

Type: Chandelier / Indoor

Colour / Material:

Glass: Opal glass / white

Metal: Plated metal / Grey

Cable: Fabric covered cable / Black

Dimensions:

L155 / W91 / H21

Mounting plate: H1,3 / W5,5 CM

Cieling cup: H19,5 / W6 CM

Fabric covered cable (divided in two):

Cable 1. from 15 to 85 CM / Cable 2. 90 CM

Country of origin: CN

Product weight: 6,6 Kg

Packaging:

Dimensions: L115 / W86 / H21 CM

Total weight incl. product: 9,70 Kg

Number of parcels: 1

Material: Brown cardboard

Light source:

Socket: E14 - 230V

Recommended Light Source: Philips LED Filament Tube

- E14 4,5 W, Lightbulb Maximum Diameter: 3,5 cm. Plea-

se note this light source is not dimmable. Dimmability:

Can be fitted with an aligned dimmer

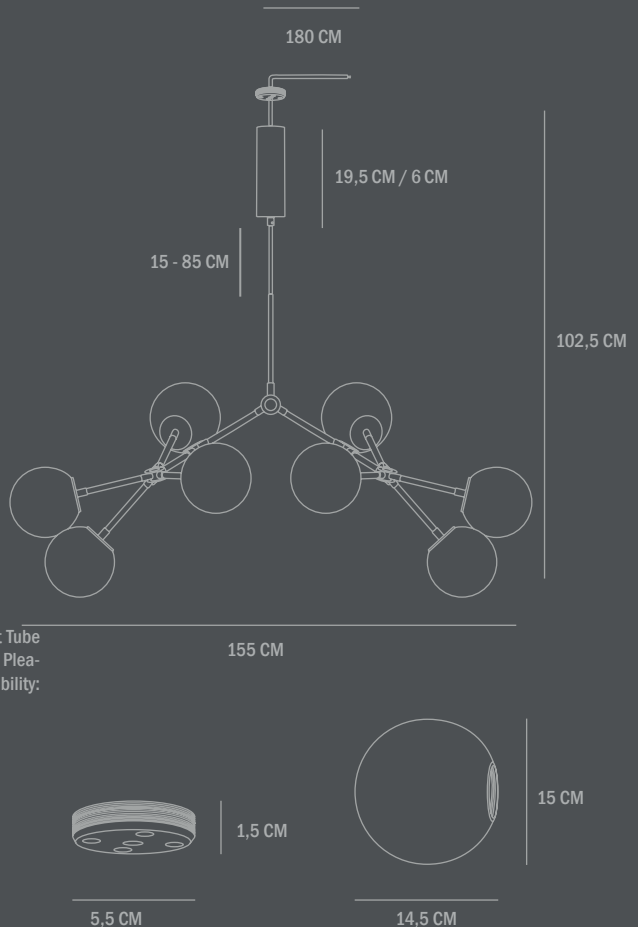
Care instructions:

Use a soft dry cloth to clean the product.

Do not use household cleaners.

Suitable for rooms with a height of 230-320 CM.

Does not comply with US Standards.





## IMPORTANT

---

Always shut off power to the circuit before starting installation work. In some countries electrical installation work may only be carried out by a authorised electrical contractor. Contact your local electricity authority for advice.

### SAFETY INSTRUCTIONS:

Please note the information contained in these instructions and save this manual, also when lamp is already mounted.

### GENERAL INSTRUCTIONS:

- Electrical connections may only be carried out by qualified staff.
- The manufacturer does not accept responsibility for injuries or defects caused by improper use of this lamp.
- Attention! Before starting the installation, disconnect the power by turning off the circuit breaker, or by removing the fuse at the fuse box.
- Mind to use this lamp for its predetermined function. For example don't mount indoor lamps in outdoor areas.
- Please check all components are complete before installing.
- Don't cover the lamp.
- Don't connect the lamp to power and don't switch it on when it's in packing.
- Bulbs and transformers get very hot during operating. At improper use there is the risk of fire and by changing the bulb you can hurt yourself. Always let cool down!
- If the external flexible cable or cord is damaged, it shall be exclusively replaced by the manufacturer or his service agent or a similar qualified person in order to avoid a hazard.
- Please ensure that the specified bulb type and power of bulb is used. The maximal wattage shouldn't be exceeded (find the bulb symbol and the "max ... W" on rating label or on lamp).
- Do not mount the lamp on wet or conducting background.
- Make sure that the cables or cords don't get damaged during installation.
- The given main voltage (230V/50Hz) shall not be exceeded.
- Plug and connection elements must be free of tensile strength and torsion force.
- Don't touch bulbs with bare hands.

### MAINTENANCE INSTRUCTIONS:

- Before cleaning, disconnect the power by turning off the circuit breaker, or by removing the fuse at the fuse box.
- Mind to clean the surfaces of lamp only.
- Wetness shouldn't get in terminal box or to any conducting part.
- Before you start to clean let it cool down for 10 minutes!
- Cleaning with a soft dry cloth only.

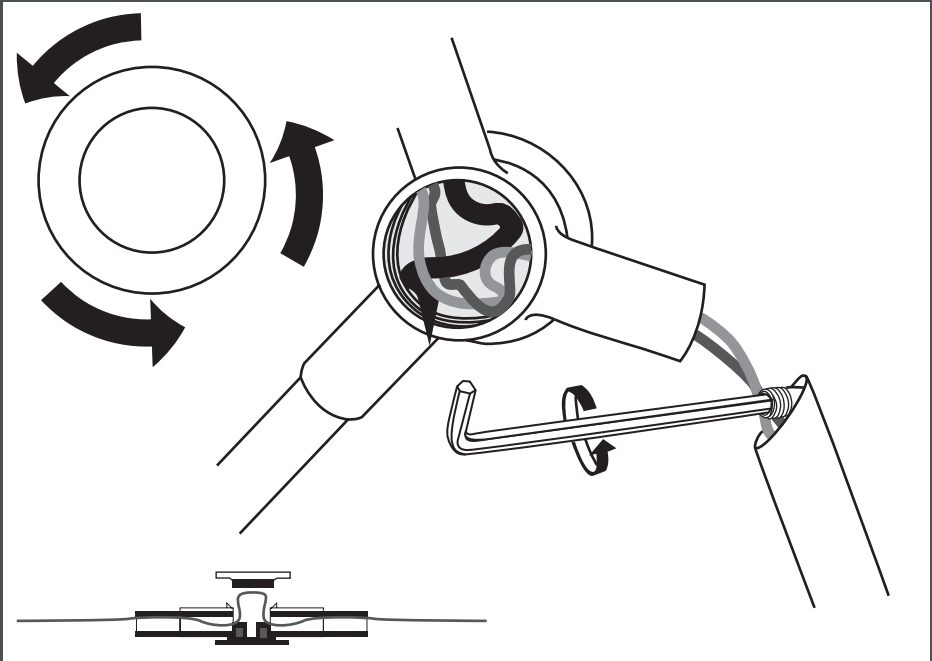
### ADVICE FOR ENVIRONMENTAL CARE:

Don't put this article to normal domestic waste after the end of its lifecycle. You have to bring it to a staging area for electrical wastes. The materials are recyclable according to their specifications. With the correct recycling of these materials you can make a significant contribution to environmental protection. Ask your local authority for next staging area.

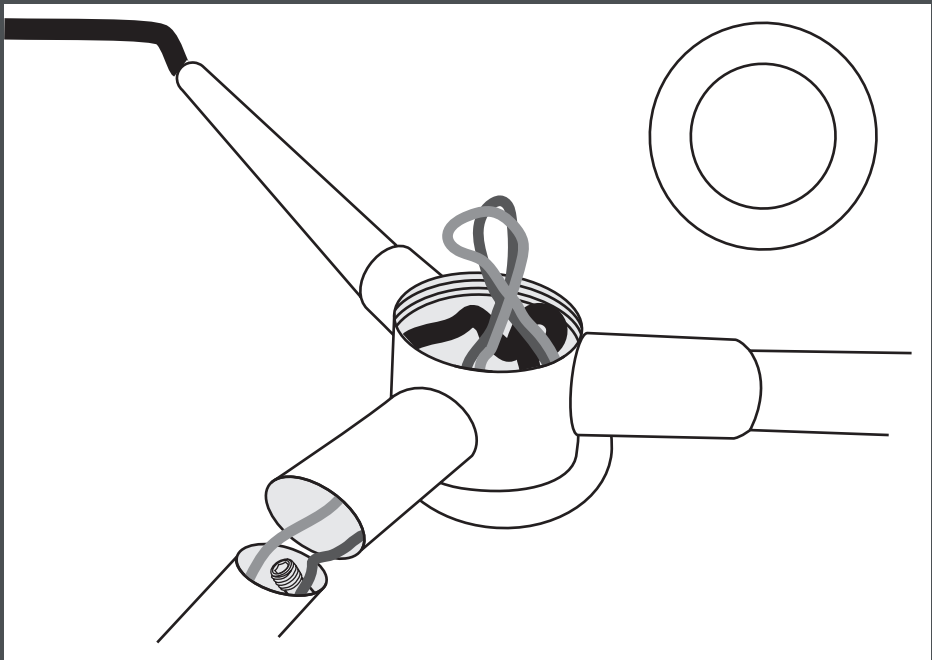
### CE MARKING:

By affixing the CE marking to a product, a manufacturer declares that the product meets all the legal requirements for CE marking and can be sold throughout the European Economic Area (EEA).

TO ASSEMBLE THE ARMS:

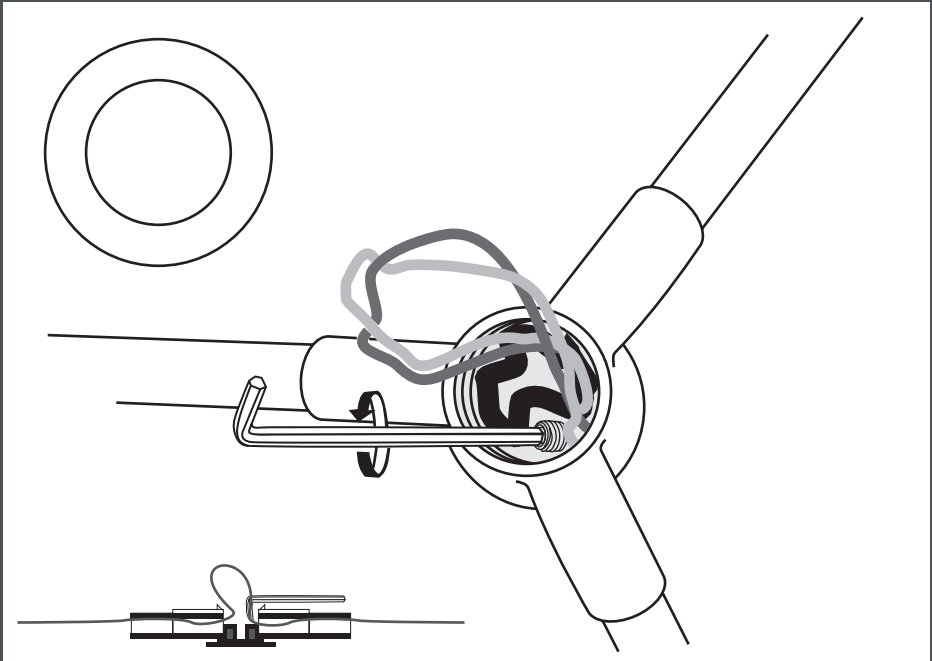


1. Unscrew the lid off
2. Use the supplied key to loosen the screw located inside the tube.

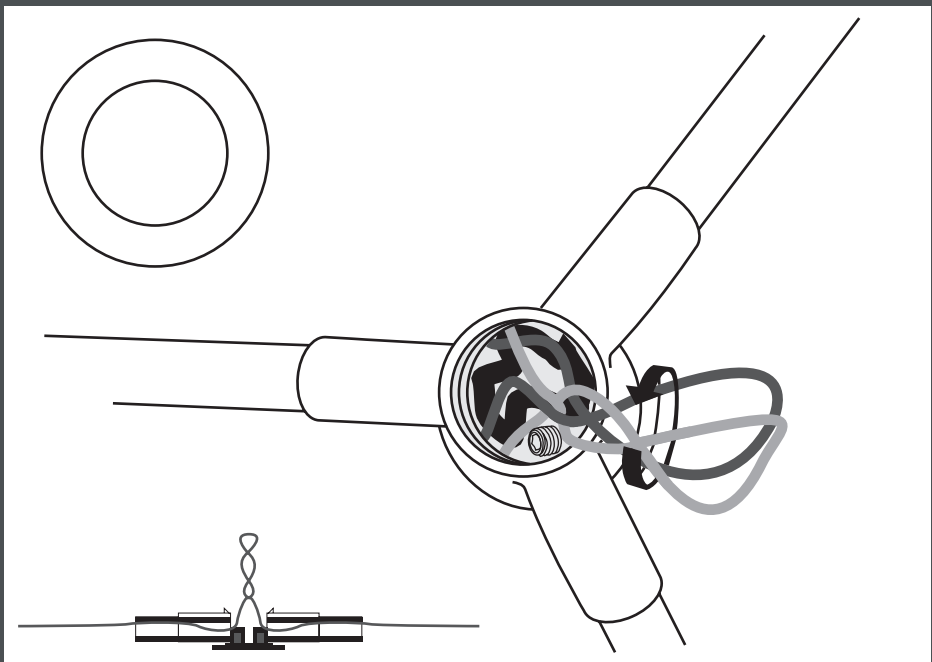


3. Gently pull up the middle wire and push the tube in.

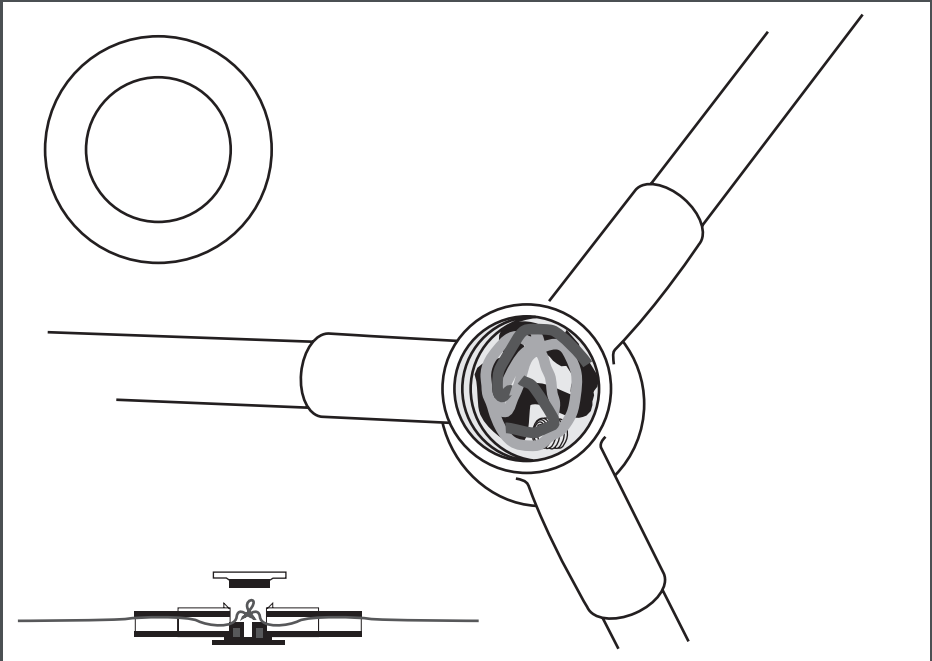




4. Carefully pull the cables into the assembly and lock the small screw with the supplied key. Please make sure it is fixated properly and the tube can not be pulled out.

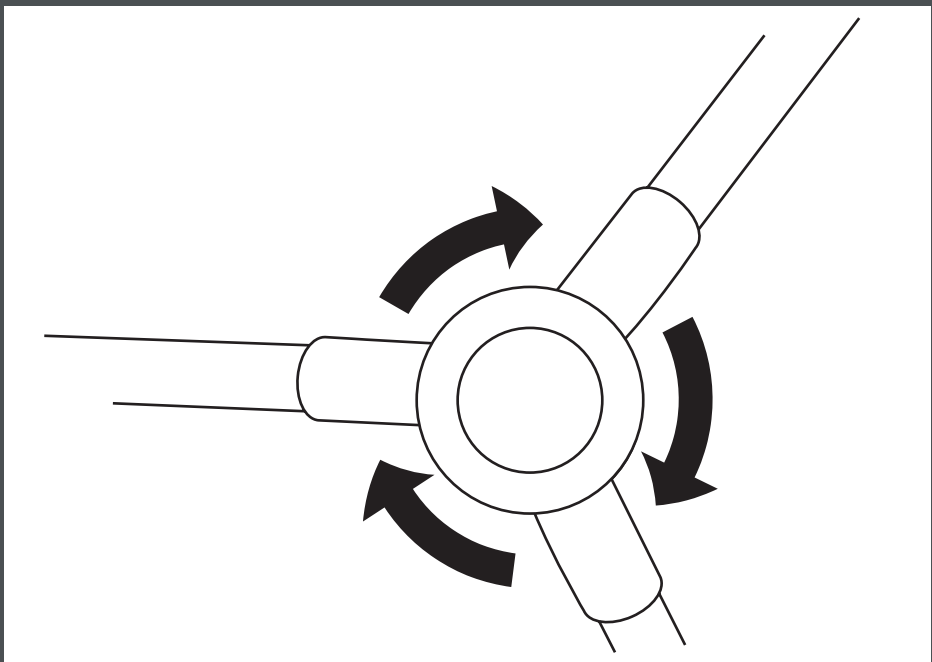


5. Carefully twist the middle cables without pulling the cables.

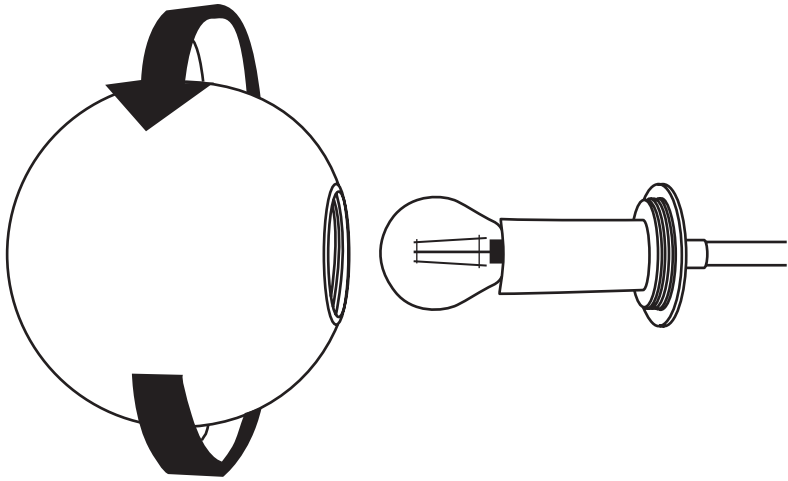


6. Press the cable into the middle

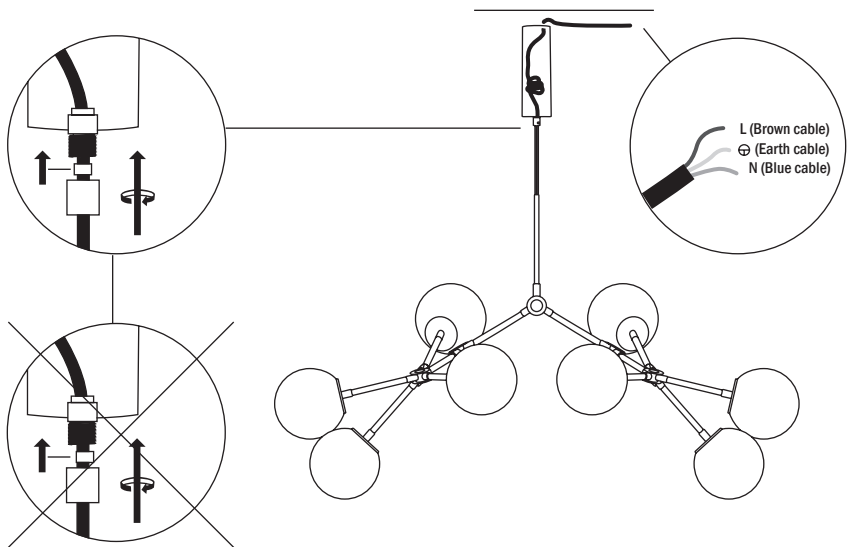
Note: Do not obstruct the edge of the tube, otherwise it is not possible to screw on the lid.



7. Screw the lid back on



8. Insert light bulb and gently screw the glass screen onto the chandelier arm.

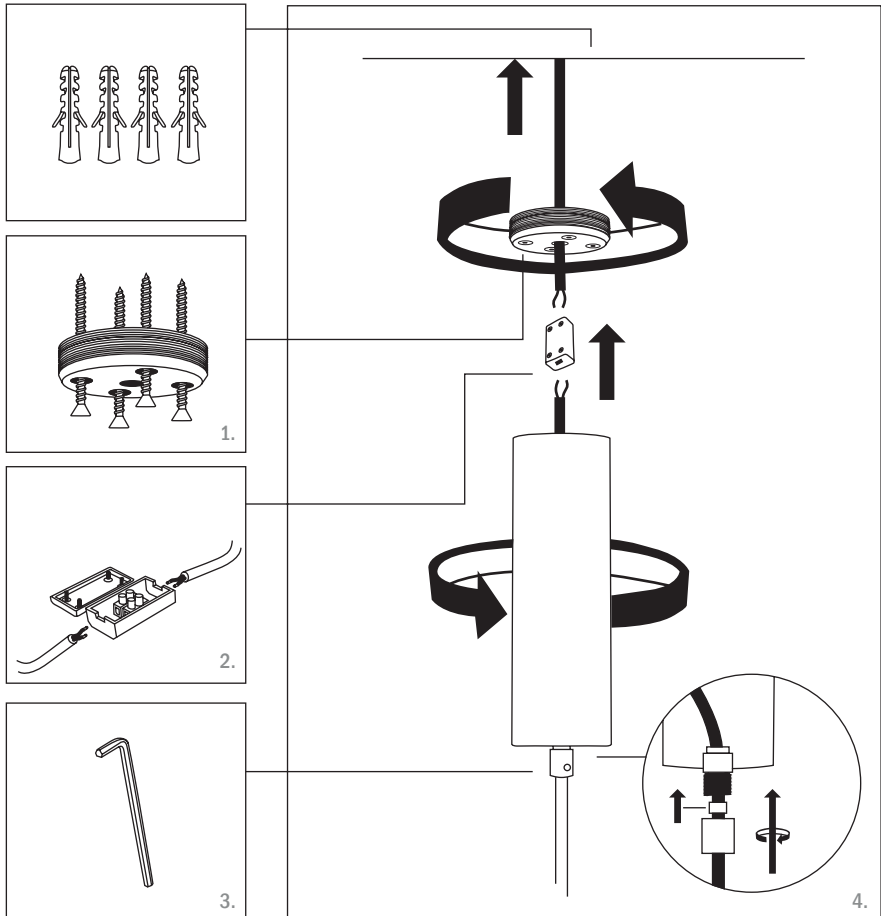


9. The way to adjust the appropriate length of cable: Please note the location of the rubber band at fabric covered cable must be placed correctly otherwise the cable will not be fixated properly.

## CHANDELIER ATTACHED DIRECTLY TO THE CEILING

Ceiling Height: 220-250 cm

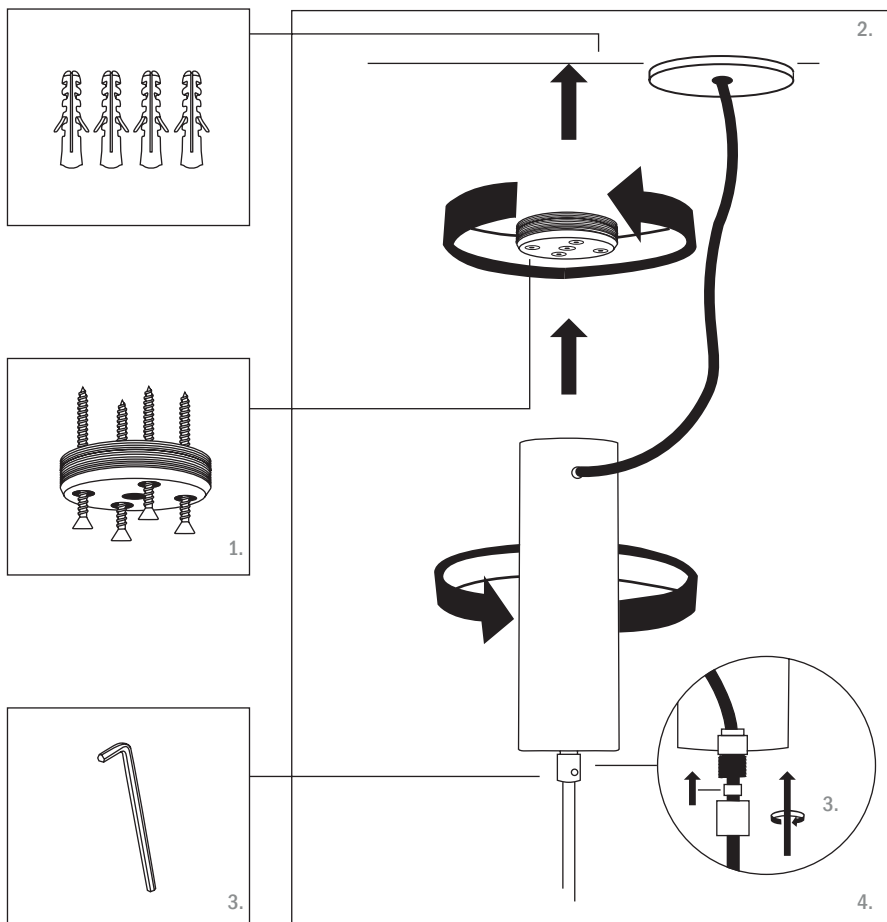
1. Pull the cable from the ceiling through the mounting plate and mount the ceiling cup to the ceiling, with screws and inner mounting plate following in the package. Please make sure it is fixated properly.
2. When the ceiling cup is attached to the ceiling, lead the fabric cable from both sides into the cable connector. Please make sure the cable relief is tightened.
3. Adjust the cable length before you place the cable connector inside the ceiling cup.  
How to adjust the cable length: Unmount the screw from the small metal ring underneath the ceiling cup. Gently pull down the cable (never pull the cable, while the screw is fastened in the cable) When the length is adjusted, please fasten the screw again and make sure it is tightened properly. Please note the location of the rubber band at fabric covered cable must be placed correctly otherwise the cable will not be fixated properly.
4. Place the ceiling cup at the mounting plate and turn right until the ceiling cup cover the mounting plate.



## CHANDELIER ATTACHED DIRECTLY TO THE CEILING WITH CABLE IN CEILING ROSE

Ceiling Height: 220-250 cm

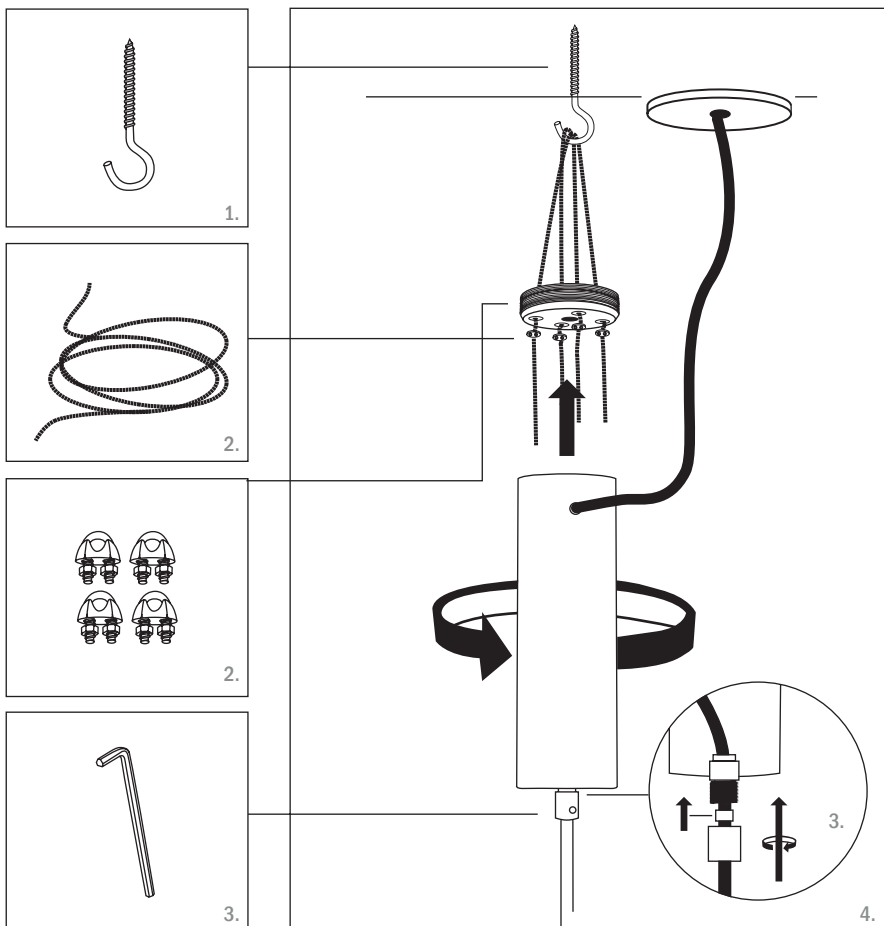
1. Please mount the ceiling cup to the ceiling, with the screws and inner mounting plate following in the package. Please make sure it is fixated properly.
2. When the ceiling cup is attached to the ceiling, lead the fabric covered cable out of the hole in the ceiling cup and attached to the ceiling rose. Please make sure the cable relief is tightened.
3. Adjust the cable length before you place the cable connector inside the ceiling cup. How to adjust the cable length: Unmount the screw from the small metal ring underneath the ceiling cup. Gently pull down the cable (never pull the cable, while the screw is fastened in the cable) when the length is adjusted, please fasten the screw again and make sure it is tightened properly. Please note the location of the rubber band at fabric covered cable must be placed correctly otherwise the cable will not be fixated properly.
4. Place the ceiling cup at the mounting plate and turn right until the ceiling cup cover the mounting plate.



## CHANDELIER ATTACHED TO THE CEILING WITH A HOOK SCREW AND METAL WIRES

Ceiling Height: 220-250 cm

1. Please mount the ceiling cup to the ceiling with a wire and hook and make sure it is fixed properly.
2. The wires are attached to the inner mounting plate screw holes and connected to the hook in the ceiling, please remember to use wire locks to make sure they are fixed properly. When the lamp is installed in correct height, please lead the cable out of the hole in the ceiling cup and attached it to the ceiling rose.
3. Adjust the cable length before you place the cable connector inside the ceiling cup. How to adjust the cable length: Unmount the screw from the small metal ring underneath the ceiling cup. Gently pull down the cable (never pull the cable, while the screw is fastened in the cable) when the length is adjusted, please fasten the screw again and make sure it is tightened properly. Please note the location of the rubber band at fabric covered cable must be placed correctly otherwise the cable will not be fixed properly.
4. Place the ceiling cup at the mounting plate and turn right until the ceiling cup cover the mounting plate.





101 COPENHAGEN 2021 ©

Østergade 17, 2.sal  
1100 Copenhagen K

[info@101cph.com](mailto:info@101cph.com)  
[www.101cph.com](http://www.101cph.com)

+4531337424