

**DOOR HANDLE SET /  
CAST / SPRUNG**

---

**ACTION: DOOR HANDLE**

---

**KNURL: CAST**

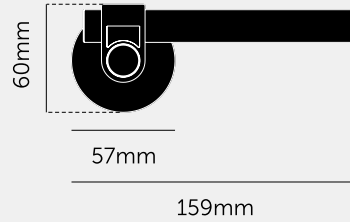
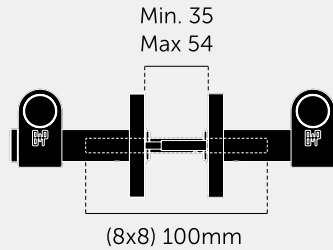
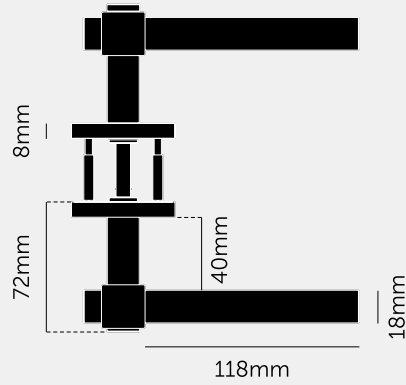
---

**RANGE: DOOR HANDLES**

---

A pair of sprung door handles featuring our unique rough cast knuckles, combined with hand-polished solid metal bars. Works great on all internal doors and can be combined with our matching door accessories.





#### SPECIFICATIONS

A pair of solid metal door handles, with an 8mm thick sprung rose.

Designed for use with UK (centre distance 38mm) specific latches.

Compatible with either tubular latches or mortise locks. Latch sold separately.

Fits doors of thicknesses of minimum 35mm to maximum 54mm. For thicker doors, longer through bolts and a longer spindle will need to be sourced.

#### FINISH & SKU NUMBERS

sku	finish	size
RDD-052226	● brass	
RDD-454501	● smoked bronze	
RDD-072225	● steel	
RDD-592227	● welders black	

#### INCLUDED

- 1 x pair of sprung door handles
- 1 x 57x8mm outer rose cover plate
- 1 x 8x8x100mm spindle
- 8 x countersunk woodscrews
- 2 x M4x43mm through bolts
- 1 x allen key

#### PLEASE NOTE

DISCLAIMER: Always consult a trade professional when installing this product. Buster + Punch is not responsible for the usage or feasibility of installation requirements. This product is not suitable for damp or wet environments. For internal use only. Not for commercial use.

#### CARE INSTRUCTIONS

Clean regularly with a soft, dry cloth or duster. DO NOT use damp or wet cloth when wiping cast back plate. Use gloves while mounting the cast back plate. Use a damp cloth when cleaning glass. DO NOT use oily rags or greasy cloths when wiping the product surface.