

BUSTER + PUNCH

PULL BAR

TECH SPEC



PULL BAR / PLATE / **STEEL**



PULL BAR / **WHITE**



PULL BAR / **SMOKED BRONZE**

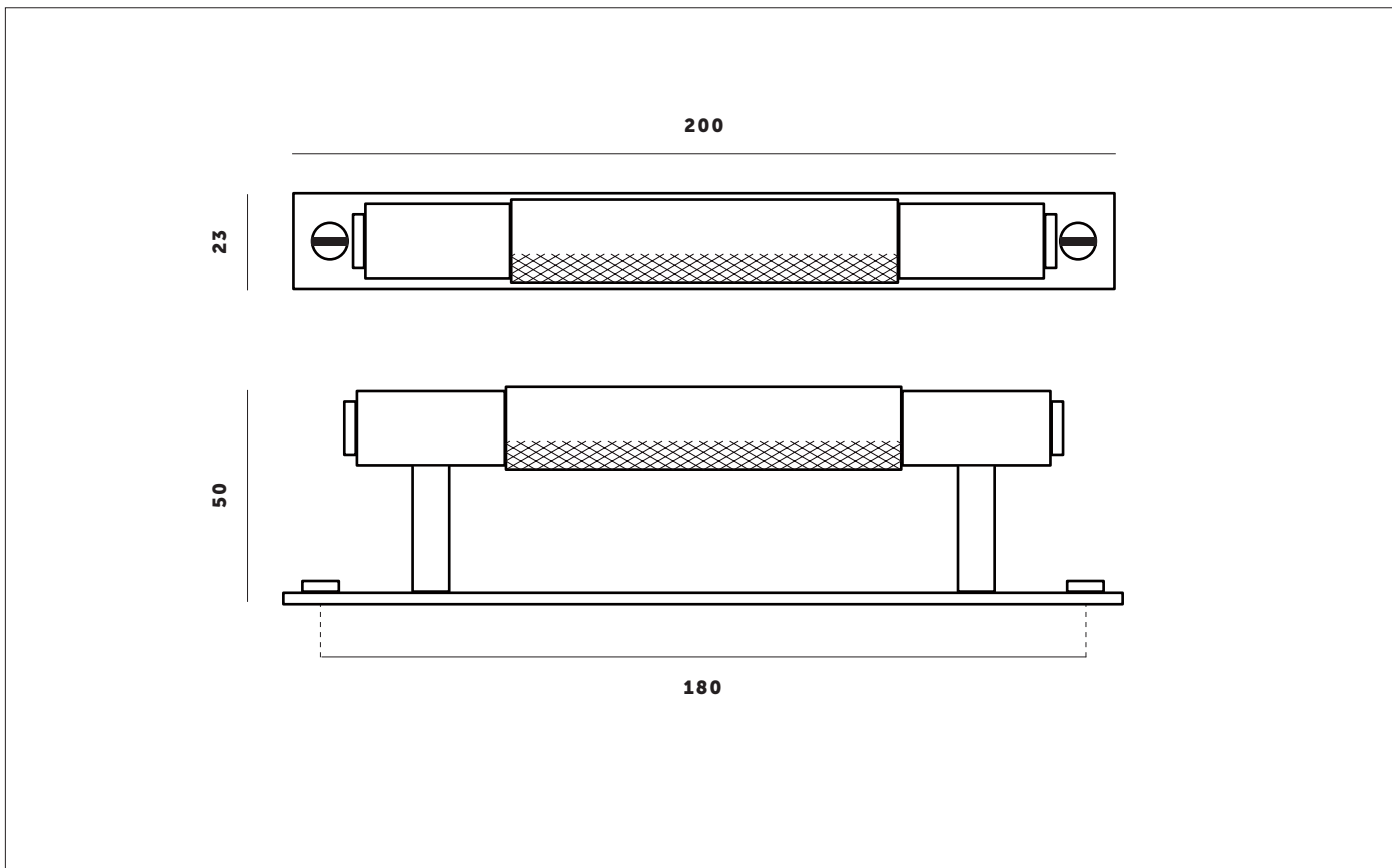
PULL BAR

A Pull Bar Handle made from solid metal. A solid bar with diamond-cut knurled handle detailing, ensuring pleasure with every touch. Works great on cabinet doors, wardrobe drawers, cupboards, kitchen units and just about anything that can open. Available in 5 metal finish combinations using brushed brass, steel, smoked bronze, satin black & matt white metal. Available complete with a rectangular plate and penny buttons or just nude.

busterandpunch.com
info@busterandpunch.com

BUSTER + PUNCH

PULL BAR / PLATE / 200



FINISH	PRODUCT SKU	ALSO INCLUDED:
white	CP233R	2x Coin caps 2x Countersunk screws* 1x Coin cap installation tool**  2 pcs  2 pcs  1 pcs
steel	CP211R	
brass	CP200R	
smoked bronze	CP244R	
black	CP222R	

CARE INSTRUCTIONS

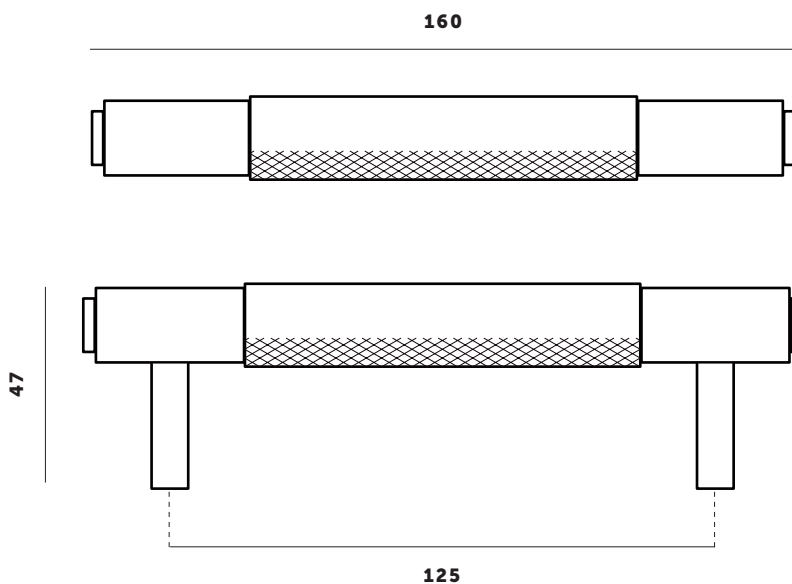
Use mild detergent and soft damp cloth.


* Fits doors & draws of 16mm and thicker. Shorter screws available on request for doors thinner than 16mm.

** Coinscrew tool **must be used by hand only**, not to be used with an electric screwdriver. The screwdriver hex is intended for a hand screwdriver.

BUSTER + PUNCH

PULL BAR / 200



FINISH	PRODUCT SKU	ALSO INCLUDED:
 white	CP233	2x Countersunk screws M6  2 pcs
 steel	CP211	
 brass	CP200	
 smoked bronze	CP244	
 black	CP222	

CARE INSTRUCTIONS

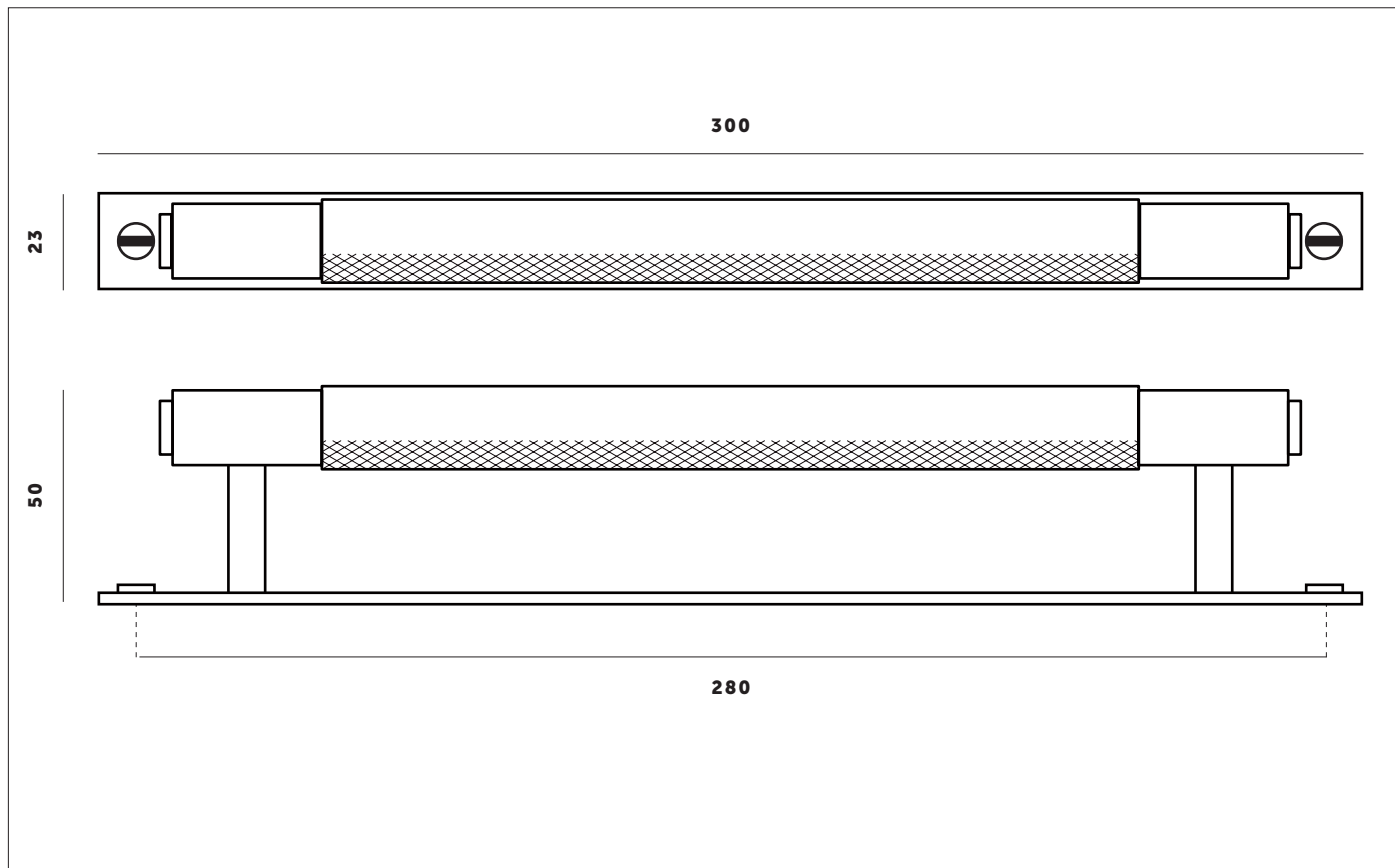
Use mild detergent and soft damp cloth.



* Fits doors & draws of 16mm and thicker. Shorter screws available on request for doors thinner than 16mm.

** Coinscrew tool **must be used by hand only**, not to be used with an electric screwdriver. The screwdriver hex is intended for a hand screwdriver.

BUSTER + PUNCH

PULL BAR / PLATE / 300



FINISH	PRODUCT SKU	ALSO INCLUDED:
 white	CP333R	2x Coin caps 2x Countersunk screws* 1x Coin cap installation tool**  2 pcs  2 pcs  1 pcs
 steel	CP311R	
 brass	CP300R	
 smoked bronze	CP344R	
 black	CP322R	

CARE INSTRUCTIONS

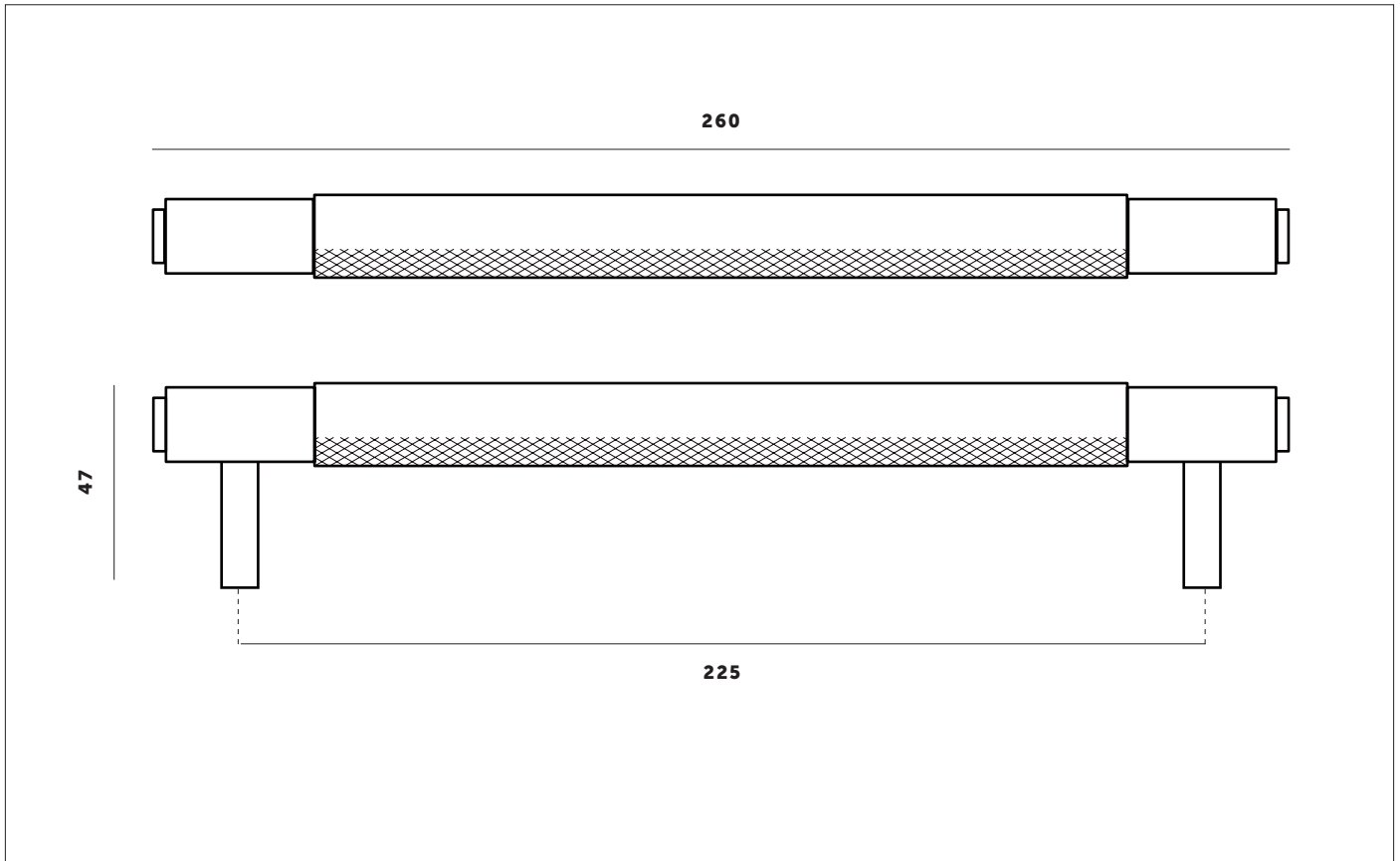
Use mild detergent and soft damp cloth.



* Fits doors & draws of 16mm and thicker. Shorter screws available on request for doors thinner than 16mm.

** Coinscrew tool **must be used by hand only**, not to be used with an electric screwdriver. The screwdriver hex is intended for a hand screwdriver.

BUSTER + PUNCH

PULL BAR / 300



FINISH	PRODUCT SKU	ALSO INCLUDED:
 white	CP333	2x Countersunk screws M6  2 pcs
 steel	CP311	
 brass	CP300	
 smoked bronze	CP344	
 black	CP322	

CARE INSTRUCTIONS

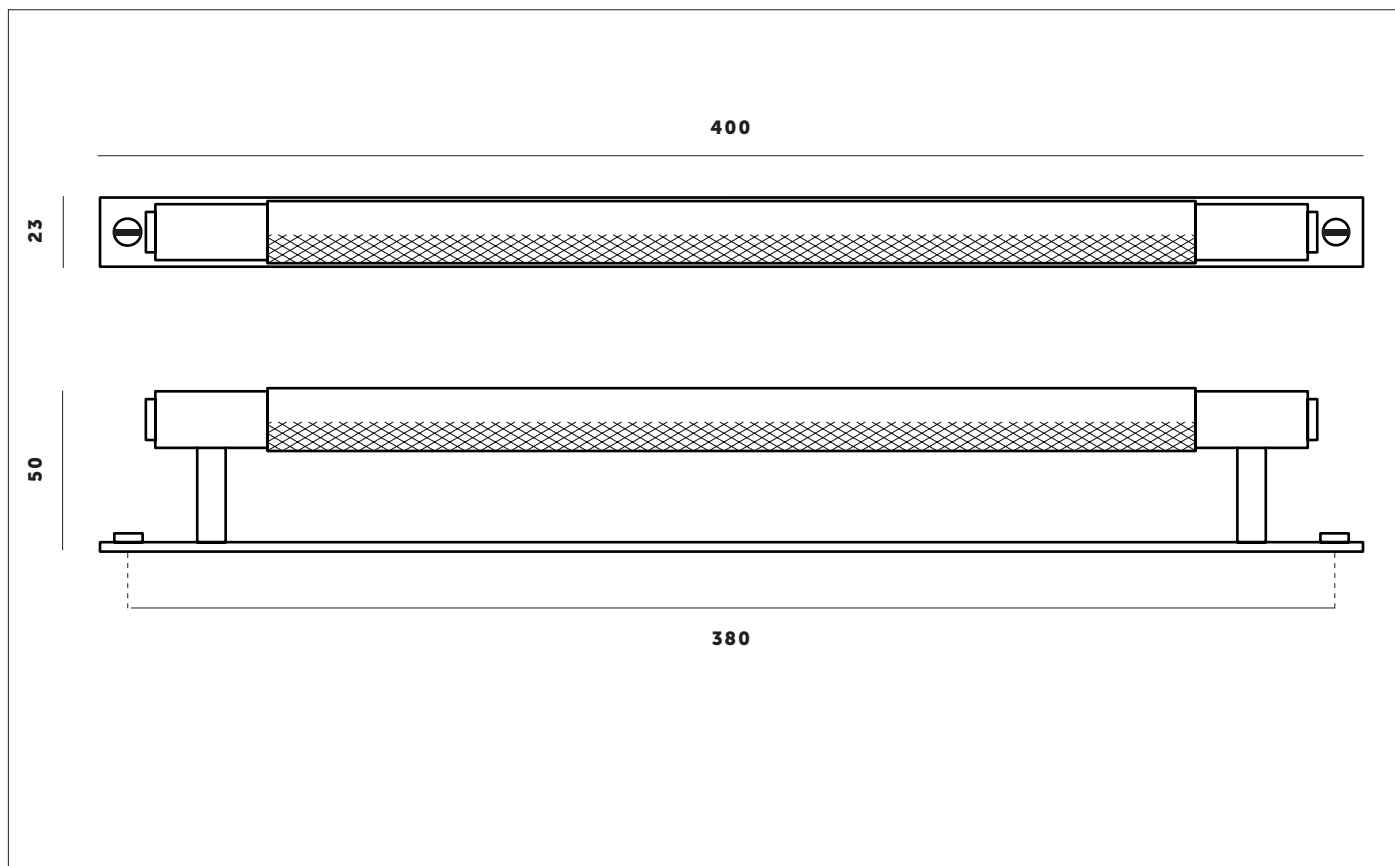
Use mild detergent and soft damp cloth.

* Fits doors & draws of 16mm and thicker. Shorter screws available on request for doors thinner than 16mm.

** Coinscrew tool **must be used by hand only**, not to be used with an electric screwdriver. The screwdriver hex is intended for a hand screwdriver.

BUSTER + PUNCH

PULL BAR / PLATE / 400



FINISH	PRODUCT SKU	ALSO INCLUDED:
white	CP433R	2x Coin caps 2x Countersunk screws* 1x Coin cap installation tool**  2 pcs  2 pcs  1 pcs
steel	CP411R	
brass	CP400R	
smoked bronze	CP444R	
black	CP422R	

CARE INSTRUCTIONS

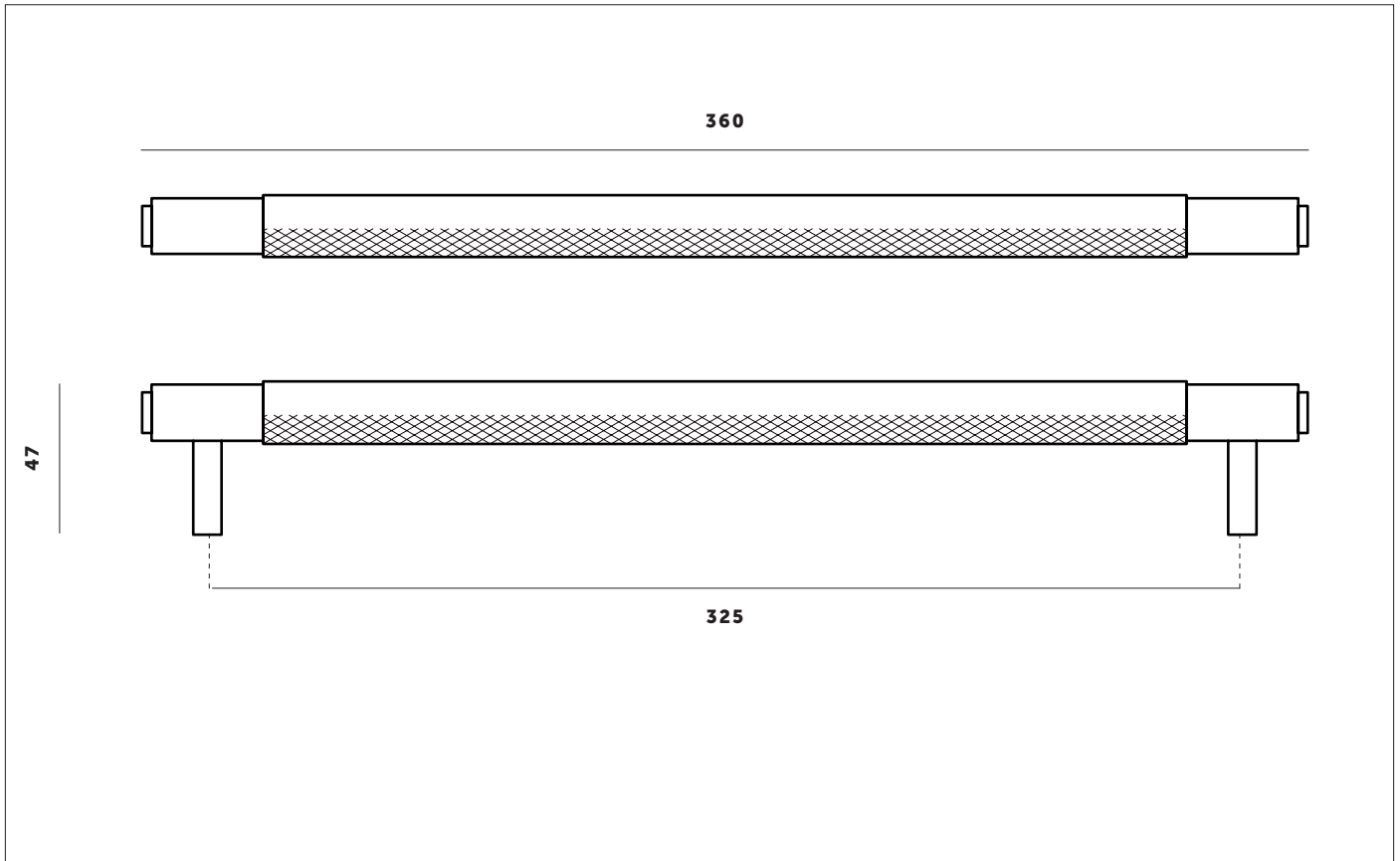
Use mild detergent and soft damp cloth.


* Fits doors & draws of 16mm and thicker. Shorter screws available on request for doors thinner than 16mm.

** Coinscrew tool **must be used by hand only**, not to be used with an electric screwdriver. The screwdriver hex is intended for a hand screwdriver.

BUSTER + PUNCH

PULL BAR / 400



FINISH	PRODUCT SKU	ALSO INCLUDED:
 white	CP433	2x Countersunk screws M6  2 pcs
 steel	CP411	
 brass	CP400	
 smoked bronze	CP444	
 black	CP422	

CARE INSTRUCTIONS

Use mild detergent and soft damp cloth.

* Fits doors & draws of 16mm and thicker. Shorter screws available on request for doors thinner than 16mm.

** Coinscrew tool **must be used by hand only**, not to be used with an electric screwdriver. The screwdriver hex is intended for a hand screwdriver.