

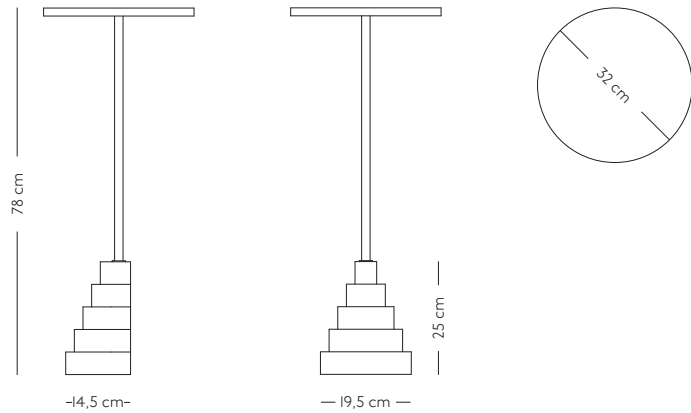
# SOLUM TABLE

*Datasheet*



## SOLUM TABLE - TALL

### Specifications



#### Product type

Side table

#### Product name

Solum

#### Colours

Black/Gold

Black

#### Dimension

Diameter: 32 cm

Height: 78 cm

#### Material - Table top

Iron with brass plating

Iron with powder coating

#### Material - Base

Granite

Marble

#### Quantity per parcel

1 (Comes in 2 packages)

#### Packaging dimensions

Table top - L:44 W:36 H:8 cm

Granite base - L:33 W:27 H:22 cm

Marble base - L:33 W:27 H:22 cm

#### Packaging Weight

Table top - 2,7 kg

Granite base - 9,1 kg

Marble base - 8,25 kg

*Stunning pieces of furniture often resemble pieces of art. The Solum tables are lovely side tables, they would even be great as console tables in a hallway or a dining area. The unique shape will make them stand out in any room in the home and truly appear as pieces of art. The tables are made of a granite foot in a graphic design fitted with an elegant table top in a brass finish.*

## SOLUM TABLE - TALL

*Variations*



Colour **Black**  
Art. No. **501940050010**



Colour **Gold / Black**  
Art. No. **501949000010**

# CARE GUIDE

*AYTM metals*

## HOW TO CLEAN / POLISH :

### **Plaited iron / steel / aluminium**

To get rid of dirt & dust, mix a mild detergent with warm water. Dip a soft cloth into the water, and wipe the item down with the cloth. If necessary, wipe the item dry with a soft dry cloth.

\* Avoid scraping with an abrasive cloth, that could damage or remove the plating from the surface.

### **Powder coated iron / steel / aluminium**

To get rid of dirt & dust, mix a mild detergent with warm water. Dip a lint free cloth into the water, and wipe the item down with the cloth. If necessary, wipe the item dry with a soft dry cloth.

\* Avoid scraping or rubbing the powder coating with an abrasive cloth, that could damage or remove the coating from the surface.

### **Brass & Stainless steel**

Make sure the metal is clean for dust and dirt on all surfaces before you begin polishing. Apply an adequate amount of metal polish for brass/stainless steel with a soft and dry cotton cloth to the item. Use a soft and dry cloth to polish the surface before the metal polish has completely dried.

\* Make sure to read the instructions on the metal polish for specific guidance.



# CARE GUIDE

*AYTM natural stone*

## HOW TO CLEAN :

### **Marble**

To get rid of dirt and dust, use a damp cloth to wipe down the item.  
If necessary, wipe the item dry with a soft dry cloth.

\* Marble cannot withstand acid or acidic detergents, such as vinegar. Make sure to wipe off any acidic and normal liquids spilled on the surface immediately, to avoid stains.

### **Granite**

To get rid of dirt and dust, mix a mild detergent with warm water.  
Dip a soft cloth into the water, and wipe the item down with the cloth.  
If necessary, wipe the item dry with a soft dry cloth.

\* Granite cannot withstand acid or acidic detergents, such as vinegar. Make sure to wipe off any acidic and normal liquids spilled on the surface immediately, to avoid stains.



AYTM

*aytm.dk*